

# SPIROTECH SPECIFICATION SHEET



Version 17.10 / BDB

Product: SpiroVent Hi-flow  
DN 125 Flanged end

Type: HA125F

Customer: 1

Project: 2

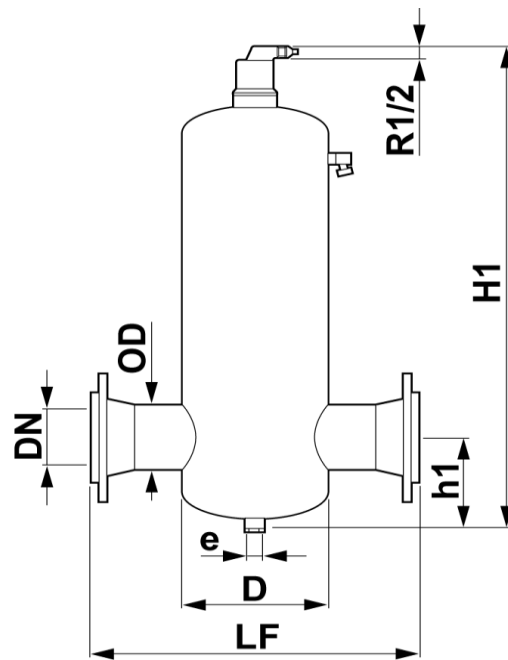
Date: 2/26/2018

Reference: 3

## Design criteria

Medium: Water / glycol (max 50%)  
 Max. flow velocity: 3 m/s  
 Max. flow rate: 40.0 l/s  
 Max. pressure: 10 bar-g  
 Max. temperature: 110 °C  
 Δp at max. flow: 16.85 kPa  
 Flow: 1.5 l/s  
 Δp at flow: 0.02 kPa  
 Design standard: EN 13445

## Drawing:



## Testing and quality assurance

Test pressure (bar): 7  
 Test medium: Air  
 Test certificate: no  
 Design and manufacturing acc. 2014/68/EU: yes  
 Material certificates (structural parts): no  
 Drawing: no  
 Weld procedures: no  
 Nondestructive Testing (X-ray: 10%): no  
 Notified body inspection: no

## Construction materials

Body: S235 JR G2 (St.37)  
 Connections: S235 JR G2 (St.37)  
 Fittings: S235 JR G2 (St.37)  
 Flanges (EN 1092-1 PN16): C22.8  
 Heads: S235 JR G2 (St.37)  
 Deaeration cap: Brass  
 Valve sealing: Viton  
 Float: PP  
 Spirotube Tube: S235 JR G2 (St.37)  
 Wire: Copper  
 Solder: Tin(SnCu3)  
 Paint: Standard  
 Color: Yellow (RAL 1003)

## Dimensions:

DN	125	mm
OD	139.7	mm
H1	1045	mm
h1	205	mm
D	324	mm
LF	635	mm
e	1/2"	

Volume: 75 ltr  
 Dry weight (approx): 71 kg

Subject to changes