

SPIROTECH SPECIFICATION SHEET

Version 17.10 / BDB



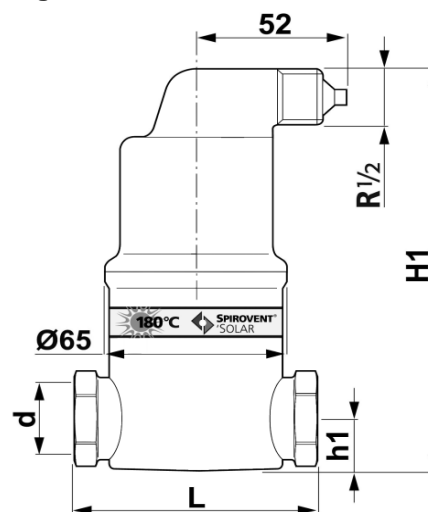
Product:	SpiroVent Solar 3/4" Threated fitting	
Customer:	1	
Project:	2	
Reference:	3	

Type:	AA075/008
Date:	2/26/2018

Design criteria

Medium:	Water / glycol (max 50%)	
Max. flow velocity:	1	m/s
Max. flow rate:	0.35	l/s
Max. pressure:	10	bar-g
Max. temperature:	180	°C
Design standard:	EN 13445	

Drawing:



Testing and quality assurance

Leakage test:	no
Test certificate:	no
Design and manufacturing acc. 2014/68/EU:	yes
Material certificates (structural parts):	no
Drawing:	no

Construction materials

Body:	Brass
Deaeration cap:	Brass
Valve sealing:	Viton
Float:	TPX
Spirotube Tube:	Copper
Wire:	Copper
Solder:	Tin(SnCu3)

Dimensions:

d	3/4"	
H1	153	mm
h1	20	mm
L	85	mm

Volume:	0.18	ltr
Dry weight (approx):	1	kg

Subject to changes