

SPIROTECH SPECIFICATION SHEET



Version 17.10 / BDB

Product: SpiroVent Solar AutoClose
22 mm Compression fitting

Type: AA022FBA08

Customer:

Project:

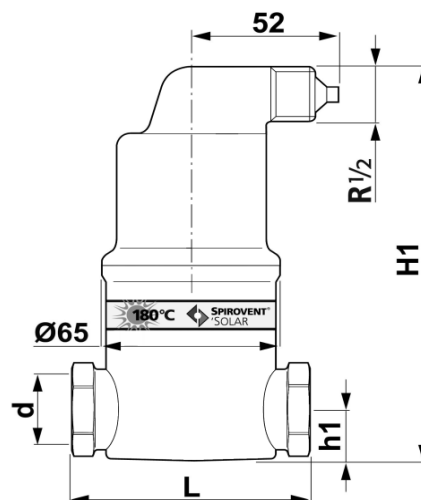
Date: 2/26/2018

Reference:

Design criteria

Medium:	Water / glycol (min 20% / max.50%)	
Max. flow velocity:	1	m/s
Max. flow rate:	0.35	l/s
Max. pressure:	10	bar-g
Max. temperature:	180	°C
closing temperature	100	°C
Design standard:	EN 13445	

Drawing:



Testing and quality assurance

Leakage test:	yes
Test certificate:	no
Design and manufacturing acc. 2014/68/EU:	yes
Material certificates (structural parts):	no
Drawing:	no

Construction materials

Body:	Brass
Deaeration cap:	Brass
Valve sealing:	Viton
Float:	TPX
Spirotube Tube:	Copper
Wire:	Copper
Solder:	Tin(SnCu3)

Dimensions:

d		
H1	153	mm
h1	20	mm
L	106	mm

Volume:	0.18	ltr
Dry weight (approx):	1.2	kg

Subject to changes