

# SPIROTECH SPECIFICATION SHEET



Product: SpiroVent Superior  
 Customer:   
 Project:   
 Reference:

Type: S600  
 MV06A50  
 Date: 6/17/2020

## Design criteria

Medium: Water / glycol (max 40%)  
 Processing Capacity: 1000 l/h  
 Max system volume: 325 m<sup>3</sup>  
 Min. Pressure: 2.5 bar-g  
 Max. pressure: 6 bar-g  
 Min. Temperature: 0 °C  
 Max. temperature: 90 °C  
 Ambient temperature: 0-40 °C  
 Main pump: Multistage centrifugal

## Connections (flexible)

Inlet / outlet: G3/4"

## Testing and quality assurance

Running test: yes  
 Test medium: Water  
 High voltage test: yes  
 Test certificate: no  
 CE-marking: yes  
 Material certificates (structural parts): no

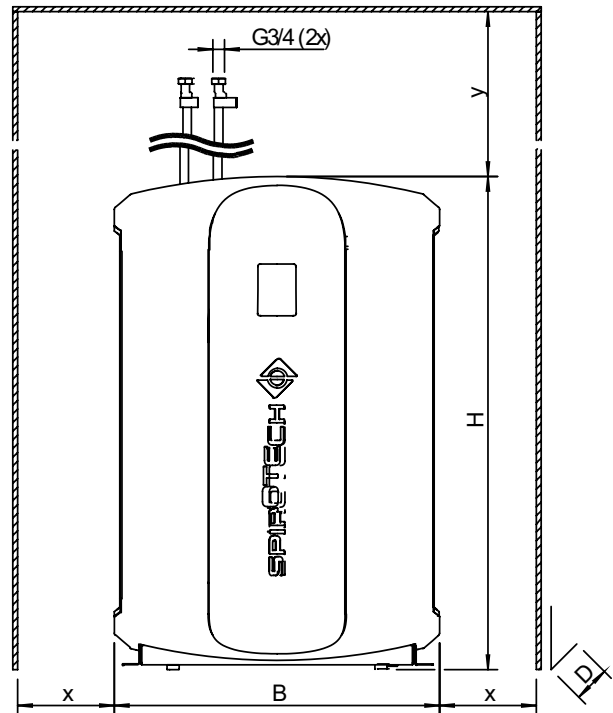
## Construction materials

Vessel: S235 JRG2  
 Fittings / hoses: Brass / EPDM  
 Pump: AISI304/Coated cast iron  
 Deaeration cap: Brass  
 Valve sealing: Viton  
 Float: PP  
 Casing: Synthetic (PS and EPP)  
 Color: Yellow (RAL 1003) and black

## Interface

Touch screen: yes  
 Wired LAN: yes  
 Wifi: option  
 Remote monitoring and control: yes  
 Data encryption: yes

## Drawing



## Dimensions

H: 1020 mm  
 B: 673 mm  
 D: 360 mm  
 x: >600 mm  
 y: >600 mm  
 Dry weight (approx): 62.3 kg  
 Noise level: 57 db(A)

## Power supply

Voltage: 230V / 50Hz  
 Power consumption: 0.8 kW  
 Protection level: IP44

## B.M.S. Contacts

Boiler interlock: Voltage free  
 Common fault: Voltage free  
 Communication: RS485

Subject to changes