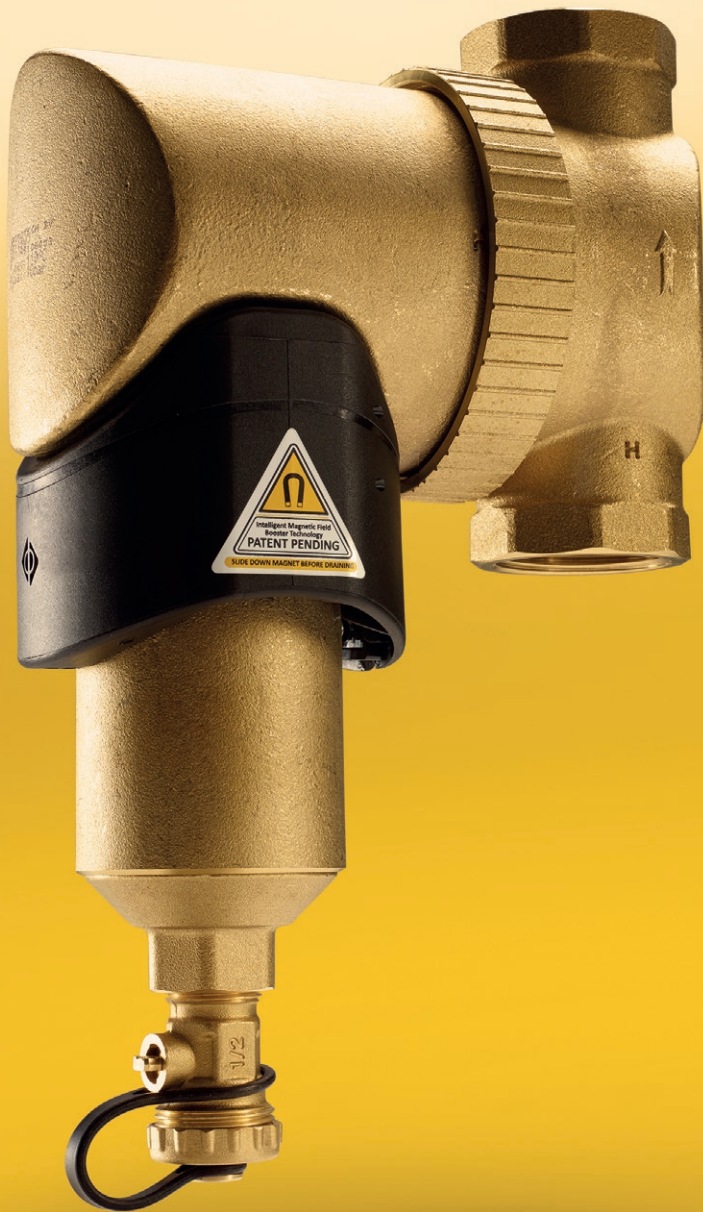


# SPIROTRAP® MBL

Unique magnetic field booster technology for optimal dirt separation



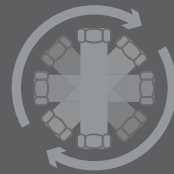
Industry-leading  
20 year guarantee



Quick and easy  
installation

Up to  
**7.4%**

Energy saving



Universal installation:  
all directions (360°)



Sturdy brass  
housing



Quick and easy  
cleaning

# SPIROTRAP® MBL

SpiroTrap MBL is a highly effective, powerful dirt separator for removing both magnetic and non-magnetic dirt particles from heating and cooling systems. Available in connection sizes 1¼", 1½" and 2".

Today's highly energy-efficient heating and cooling systems offer optimal performance with dirt-free water. In untreated systems, dirt can cumulate in multiple places. Studies and practical experience show magnetite in particular leads to decreased energy efficiency and therefore higher energy costs. Ensuring quick and efficient dirt removal is vital.

## SPIROTRAP PRODUCT FAMILY

Spirotech dirt separators are installed inline and continuously remove even the smallest dirt particles from the system fluid. SpiroTrap MBL is equipped with a powerful removable magnet that directs its powerful force inwards which ensures extremely effective separation. The new solution brings all the advantages of the highly successful SpiroTrap MB3 to bigger connection sizes. For even larger applications, we recommend our SpiroTrap Magnet.

The rotating connector ensures quick and easy installation in horizontal, vertical and even diagonal pipes. After temporarily removing the magnet sleeve, the drain valve is opened and system pressure quickly and effectively discharges collected dirt.

Kiwa Gastec has objectively proven that the SpiroTrap MB3 - on which the SpiroTrap MBL is based - brings up to 7.4% energy savings.



*SpiroTrap MBL*

SpiroTrap MBL is quick and easy to clean with minimal mess: simply pull down the clean external magnet, open the drain valve and dirt collected in the SpiroTrap runs into a collection bucket.

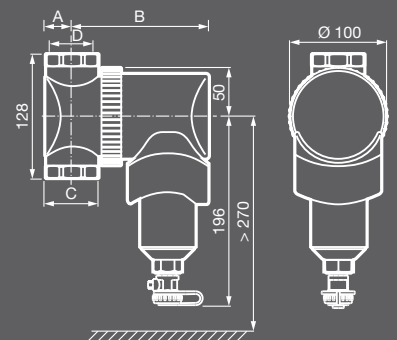
## SPIROTRAP® MBL dirt separator, brass, universal connection

Article number	A (mm)	B (mm)	C (mm)	D (inch)	Nom. Flow rate (m³/h)	Δp at nom. flow (kPa)	Volume (ltr)	Weight (kg)	Matching insulation
UE125WJ	25	138	50	1¼	3.6	2.2	0.75	3.6	TUE125
UE150WJ	28	141	55	1½	5.0	2.6	0.75	3.7	TUE150
UE200WJ	35	148	70	2	7.5	5.8	0.75	3.9	TUE200

Max. operating pressure 10 bar

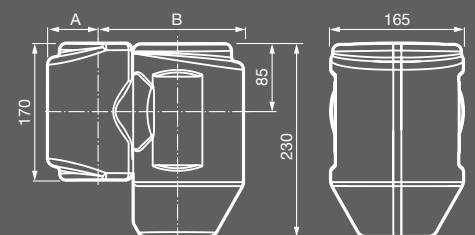
Fluid temperature 0 - 110°C

Nominal flow velocity 1 m/s



## SPIROTRAP® MBL INSULATION

Article number	Suitable for article number	A (mm)	B (mm)	Weight (kg)
TUE125	UE125WJ	57	178	0.5
TUE150	UE150WJ	63	181	0.5
TUE200	UE200WJ	75	188	0.5



G10.173\_02