

# SPIROTECH SPECIFICATION SHEET

Version 17.10 / BDB



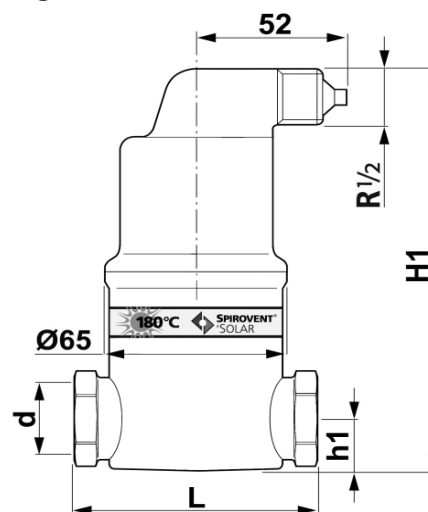
Product:	SpiroVent Solar 1 1/4" Threated fitting	
Customer:	1	
Project:	2	
Reference:	3	

Type:	AA125/008
Date:	2/26/2018

## Design criteria

Medium:	Water / glycol (max 50%)	
Max. flow velocity:	1	m/s
Max. flow rate:	1.00	l/s
Max. pressure:	10	bar-g
Max. temperature:	180	°C
Design standard:	EN 13445	

## Drawing:



## Testing and quality assurance

Leakage test:	no
Test certificate:	no
Design and manufacturing acc. 2014/68/EU:	yes
Material certificates (structural parts):	no
Drawing:	no

## Construction materials

Body:	Brass
Deaeration cap:	Brass
Valve sealing:	Viton
Float:	TPX
Spirotube Tube:	Copper
Wire:	Copper
Solder:	Tin(SnCu3)

## Dimensions:

d	1 1/4"	
H1	200	mm
h1	40	mm
L	88	mm

Volume:	0.25	ltr
Dry weight (approx):	1.4	kg

Subject to changes