

# SPIROTECH SPECIFICATION SHEET



Version 17.10 / BDB

Product: SpiroVent Hi-flow  
DN 200 Flanged end

Type: HA200F

Customer: 1

Project: 2

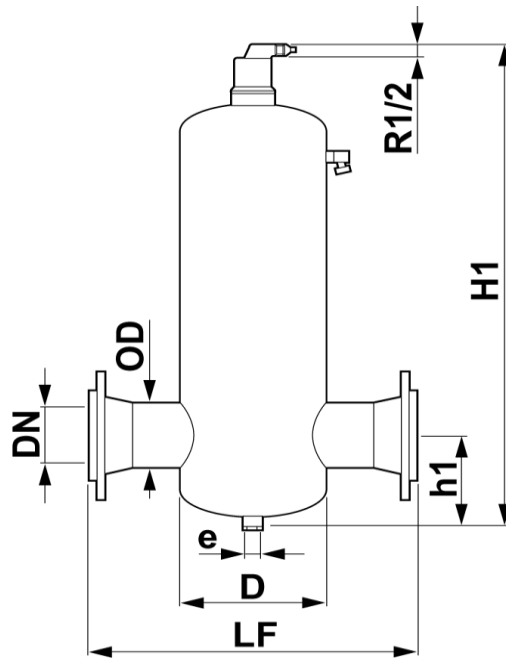
Date: 2/26/2018

Reference: 3

## Design criteria

Medium: Water / glycol (max 50%)  
 Max. flow velocity: 3 m/s  
 Max. flow rate: 100.0 l/s  
 Max. pressure: 10 bar-g  
 Max. temperature: 110 °C  
 Δp at max. flow: 23.18 kPa  
 Flow: 1.5 l/s  
 Δp at flow: 0.01 kPa  
 Design standard: EN 13445

## Drawing:



## Testing and quality assurance

Test pressure (bar): 7  
 Test medium: Air  
 Test certificate: no  
 Design and manufacturing acc. 2014/68/EU: yes  
 Material certificates (structural parts): no  
 Drawing: no  
 Weld procedures: no  
 Nondestructive Testing (X-ray: 10%): no  
 Notified body inspection: no

## Construction materials

Body: S235 JR G2 (St.37)  
 Connections: S235 JR G2 (St.37)  
 Fittings: S235 JR G2 (St.37)  
 Flanges (EN 1092-1 PN16): C22.8  
 Heads: S235 JR G2 (St.37)  
 Deaeration cap: Brass  
 Valve sealing: Viton  
 Float: PP  
 Spirotube Tube: S235 JR G2 (St.37)  
 Wire: Copper  
 Solder: Tin(SnCu3)  
 Paint: Standard  
 Color: Yellow (RAL 1003)

## Dimensions:

DN	200	mm
OD	219.1	mm
H1	1315	mm
h1	275	mm
D	406	mm
LF	775	mm
e	1"	

Volume: 150 ltr  
 Dry weight (approx): 137 kg

Subject to changes