

UE022WHA01

SpiroTrap universal MBC1 22mm

Specifications

ArticleNr	UE022WHA01
Product description	SpiroTrap universal MBC1 22mm
Description	SpiroTrap universal MBC
Volume	0,28 Ltr.
Dry weight	1,53 Kg

Design Criteria

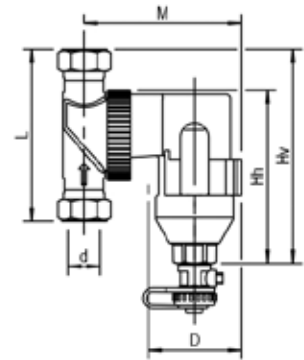
Medium	Water /glycol (max 50%)
Max. velocity	1 m/s
Nom. Flow rate	1,3 m ³ /h
Max. pressure	10 bar-g
Max. fluid temp.	110 °C

Testing & Quality assurance

Test medium	Water
Design & manufacturing acc. 97/23/EC	PED Art. 3.3

Construction Materials

Separation element	Spirotube - copper
Housing	Brass
Construction material drain valve	Brass



Dimensions

D	89 mm
Hh	121 mm
Hv	150 mm
M	117 mm
d	22 mm
L	120 mm