

SPIROTECH SPECIFICATION SHEET

Version 17.10 / BDB

Product: Spirotop special

Type: AB050/002

Customer: 1

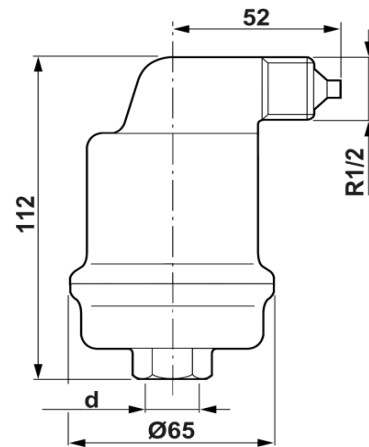
Project: 2

Date: 2/26/2018

Reference: 3

Design criteria

Medium: Water / glycol (max 50%)
 Max. pressure: 10 bar-g
 Max. temperature: 180 °C
 Design standard: EN 13445

Drawing:**Testing and quality assurance**

Leakage test: no
 Test certificate: no
 Design and manufacturing acc. 2014/68/EU: yes
 Material certificates (structural parts): no
 Drawing: no

Construction materials

Body: Brass
 Deaeration cap: Brass
 Valve sealing: Viton
 Float: TPX

Dimensions:

d ½" BSP

Subject to changes