

SPIROTECH SPECIFICATION SHEET

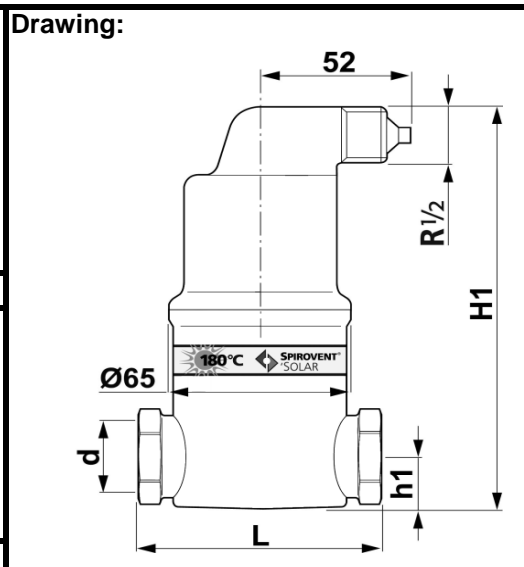
Version 17.10 / BDB



Product:	SpiroVent Solar 1½" Threated fitting	
Customer:	1	
Project:	2	
Reference:	3	

Type:	AA150/008
Date:	2/26/2018

Design criteria		
Medium:	Water / glycol (max 50%)	
Max. flow velocity:	1	m/s
Max. flow rate:	1.40	l/s
Max. pressure:	10	bar-g
Max. temperature:	180	°C
Design standard:	EN 13445	



Testing and quality assurance		
Leakage test:		no
Test certificate:		no
Design and manufacturing acc. 2014/68/EU:		yes
Material certificates (structural parts):		no
Drawing:		no

Construction materials		
Body:		Brass
Deaeration cap:		Brass
Valve sealing:		Viton
Float:		TPX
Spirotube	Tube:	Copper
	Wire:	Copper
	Solder:	Tin(SnCu3)

Dimensions:		
d	1½"	
H1	234	mm
h1	42	mm
L	88	mm
Volume:	0.32	ltr
Dry weight (approx):	1.6	kg

Subject to changes