

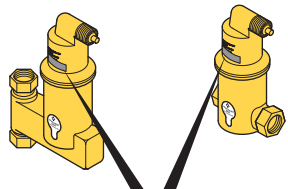



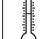
Mounting and operating instruction

For article no's starting with AA...FBA08

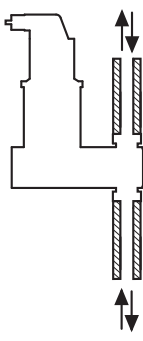
18.158_01








 0- ... bar

 0- ... °C


Acc.PED (97/23/EC) §3.3

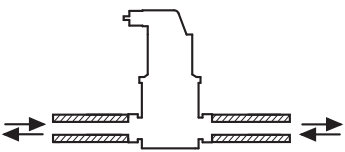



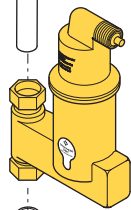




H₂O


20% < glycol < 50%





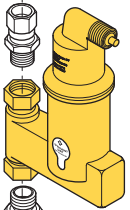


ø22mm





 0 bar






G 3/4"


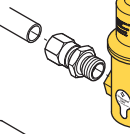
G 1"

ø22mm



 0 bar


G 3/4"


G 1"

G 1 1/4"

G 1 1/2"

G 2"



 Pmax = 1,5 x ... bar

